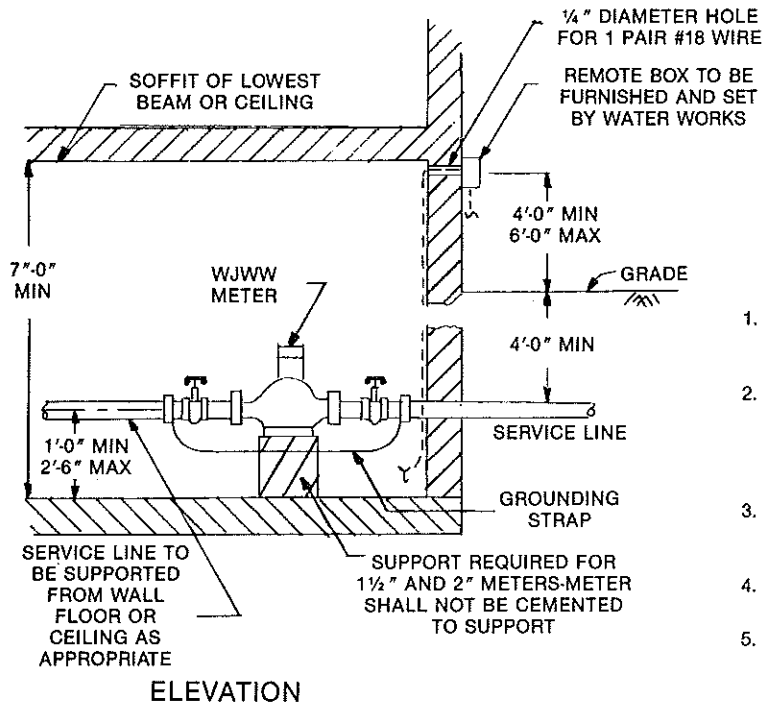


METER SIZE	DIMENSIONS		
	L ⁽¹⁾ CLEAR DISTANCE	C MIN. WALL CLEARANCE	D MAX. DISTANCE TO METER
5/8"	12 1/2" ⁽²⁾	9"	18"
3/4"	14 1/2"	9"	18"
1"	16 1/4"	9"	18"
1 1/2"	13 1/4"	18"	24"
2"	17 1/4"	18"	24"

- (1) 5/8", 3/4", 1" meter lengths include couplings; 1 1/2" length is flange-to-flange.
 (2) For 5/8" meter settings, applicant shall bush piping down to 1/2" IPT, both sides of meter.



GENERAL NOTES

1. WATER WORKS OWNS AND INSTALLS METER AND REMOTE BOX AND SUPPLIES COUPLINGS FOR 5/8", 3/4", AND 1" METERS.
2. APPLICANT SHALL DRILL NECESSARY HOLE(S) FOR AND SUPPLY 1 PAIR NO. 18 WIRE FOR REMOTE READER AT LOCATION APPROVED BY WATER WORKS, LEAVING 3' OF COILED WIRE AT EXTERIOR OF BUILDING AND AT METER LOCATION.
3. APPLICANT SHALL INSTALL APPROVED VALVES, TO OPEN TO THE LEFT, ON EITHER SIDE OF THE METER, AND GROUNDING STRAP AS SHOWN.
4. NO CONNECTIONS SHALL BE MADE ON STREET SIDE OF METER.
5. METER SHALL BE SET IN AN ACCESSIBLE HEATED AREA.

REGULATIONS REGARDING METER ACCESS AND PROTECTION

1. WATER WORKS PERSONNEL SHALL BE PROVIDED ACCESS TO PREMISES AT ALL REASONABLE TIMES TO INSPECT, READ, REMOVE OR CHANGE THE METER.
2. CUSTOMER IS RESPONSIBLE FOR PROTECTION OF METER, AND WILL BE BILLED ALL COSTS RELATING TO DAMAGE OF THE METER CAUSED BY FREEZING, BACKFLOW OF HOT WATER OR OTHER PHYSICAL ABUSE.
3. METER, COUPLINGS, VALVES, REMOTE WIRING AND REMOTE BOX SHALL BE KEPT UNOBSTRUCTED AND READILY ACCESSIBLE. PARTITIONS OR CABINETS SHALL NOT BE BUILT AROUND THE METER. NO OBSTRUCTION SHALL BE PLACED, NOR STORAGE BE PERMITTED IN THE REQUIRED CLEAR ZONE. IF THE METER IS LOCATED IN A LOCKED ROOM, A KEY FOR THAT ROOM SHALL BE PROVIDED TO THE WATER WORKS.
4. THE METER SHALL BE CONSIDERED INACCESSIBLE WHERE UNSAFE OR UNSANITARY CONDITIONS OR OBSTRUCTIONS IMPEDE ACCESS TO THE METER OR WHERE REASONABLE ACCESS TO THE METER IS DENIED.
5. CUSTOMER SHALL NOT REMOVE OR TAMPER WITH METER NOR SHALL HE REMOVE, DAMAGE OR DEFACE ANY SEALS PLACED ON METERS OR VALVES BY WATER WORKS.
6. THE WATER WORKS MAY TERMINATE SERVICE OR DIRECT THE CUSTOMER TO RELOCATE THE METER TO A PIT AT HIS EXPENSE WHERE COMPLIANCE WITH ACCESS REQUIREMENTS IS NOT OBTAINED, OR WHERE TAMPERING WITH THE METER AND/OR SEALS, OR REPEATED DAMAGE TO THE METER FOR ANY REASON HAS OCCURED.

WESTCHESTER JOINT WATER WORKS				STANDARD DETAIL NO. 13
BY	DATE	SCALE	FILE NO.	INTERIOR METER SETTING
RW	1-7-83	NONE		